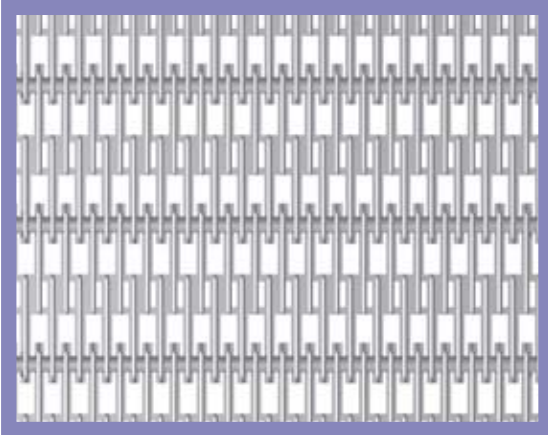


50-500



- ➔ Belt surface: Raised Ribs.
- ➔ Open area: 25%.
- ➔ Strength: The right belt for heavy transportation.
- ➔ Material/colour: PP, POM.
- ➔ Accessories: 50 finger plates.
- ➔ Application: Cooling/freezing belts in the seafood, bakery, vegetable and meat industries, pasteurizers.

HUB SPECIFICATION

	6Z	8Z	10Z	12Z
Round bore (mm)	25ø	25ø	30ø	30ø
	30ø	30ø	30ø	40ø
	40ø	40ø	40ø	50ø
Square bore (mm)	38.1x38.1	38.1x38.1	38.1x38.1	
	40x40	40x40	40x40	40x40
			60x60	60x60

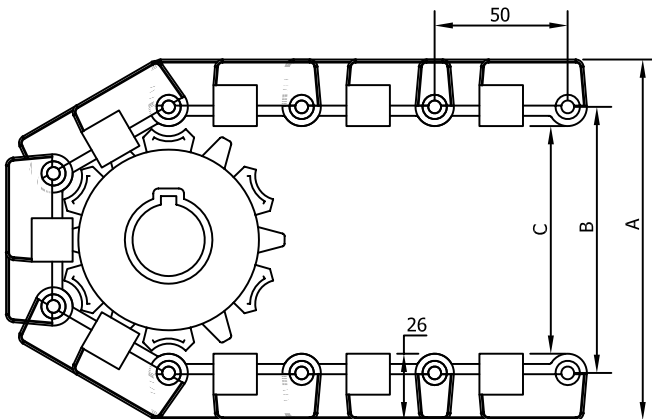
bore available in inch size

BELT DATA

Materials	Max. belt pull kg/m of width	Belt weight kg/m ²
Polypropylene (PP)	2800	8
Polyacetal (POM)	4200	11

SPROCKET DATA

No. of teeth Z	A=Outside diameter (mm)	B=Pitch diameter (mm)	C=Inside diameter (mm)	Sprocket width (mm)
6	117	101	85	30
8	149	133	117	36
10	180	164	148	39
12	211	195	179	39



Maine Industrial Plastics and Rubber Corporation

21 Teague Street - PO Box 381 - Newcastle, ME 04553

Phone: (207) 563-5532 Email: HGL@TIDEWATER.NET FAX: (207) 563-8457