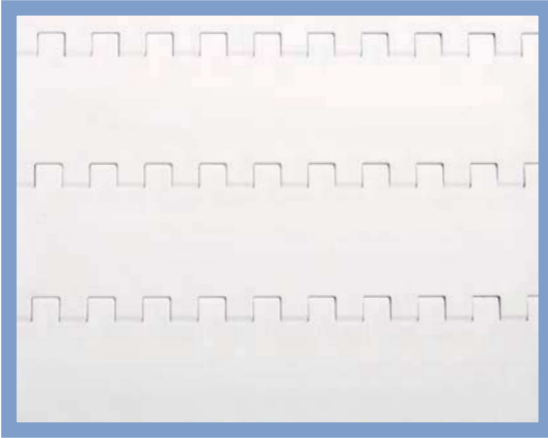


# 50-800



- ➔ Belt surface: Flat top.
- ➔ Open area: Closed.
- ➔ Strength: The right belt for medium-heavy transportation.
- ➔ Material: PE, PP, POM.
- ➔ Accessories: 25, 50, 75 and 100 mm high flights.  
50, 75 and 100 mm side guards.
- ➔ Application: Dairy, vegetables, poultry, snack food, sweet goods and other industries that handle small products.

### HUB SPECIFICATION

	Number of teeth			
	6Z	8Z	10Z	12Z
Round bore (mm)	20ø			
	25ø	25ø	25ø	25ø
	30ø	30ø	30ø	30ø
	40ø	40ø	40ø	40ø
Square bore (mm)	25x25	25x25	25x25	25x25
	40x40	40x40	40x40	40x40
			60x60	60x60

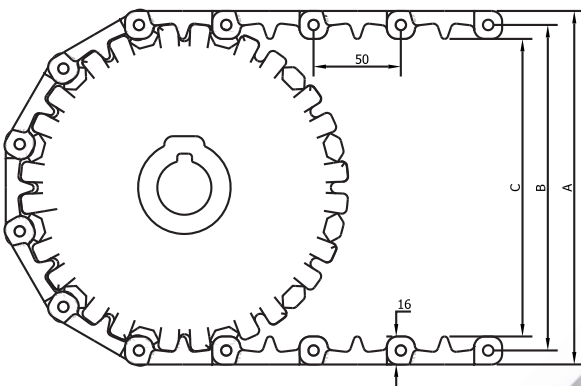
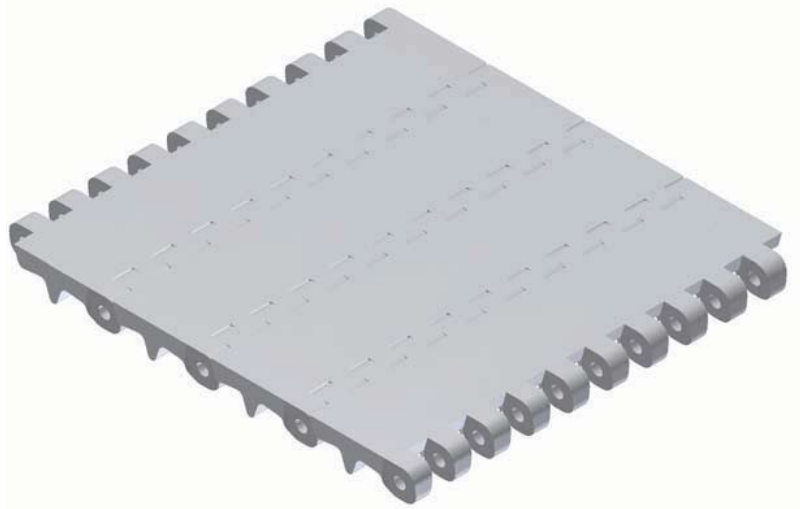
bore available in inch size

### BELT DATA

Materials	Max. belt pull kg/m of width	Belt weight kg/m <sup>2</sup>
Polyethylene (PE)	1200	8
Polypropylene (PP)	1400	8
Polyacetal (POM)	2060	12

### SPROCKET DATA

No. of teeth Z	A=Outside diameter (mm)	B=Pitch diameter (mm)	C=Inside diameter (mm)	Sprocket width (mm)
6	108	89	73	20
8	142	122	106	35
10	176	156	140	35
12	209	189	173	35



Maine Industrial Plastics and Rubber Corporation

21 Teague Street - PO Box 381 - Newcastle, ME 04553

Phone: (207) 563-5532 Email: HGL@TIDEWATER.NET FAX: (207) 563-8457